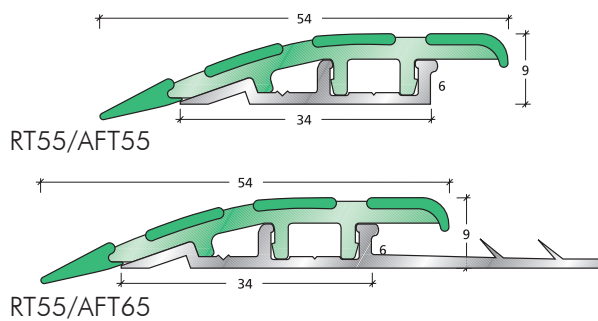


Clip-Top Carpet Trims

A range of superior carpet trims for a variety of applications to protect the carpet edge and provide a safe transition between the carpet and the adjoining flooring.

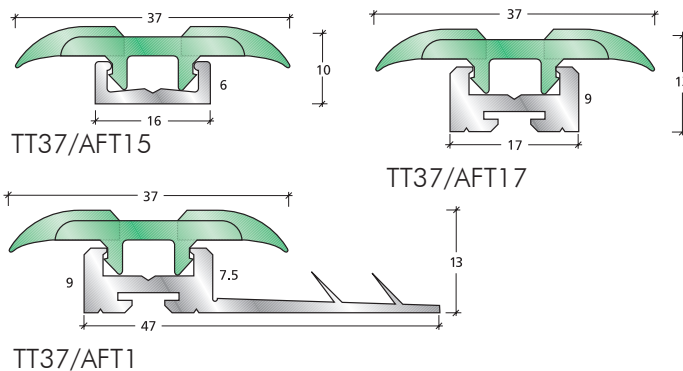
Features:

- Strong hard-wearing edge to carpets.
- Ribbed for maximum safety.
- Wide choice of colours for colour co-ordination.
- Designed for disabled and small wheels.
- Wide range for every application.
- Robust concealed base sections.
- Co-extruded anti-slip ribs.
- Easy to fit.
- Does not shrink or split.
- Minimal maintenance.

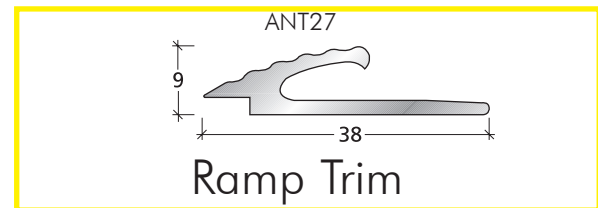
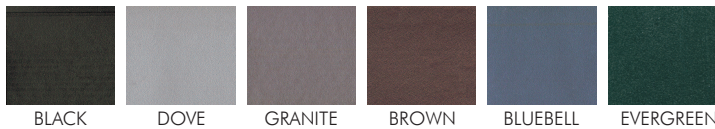


Ramp Top

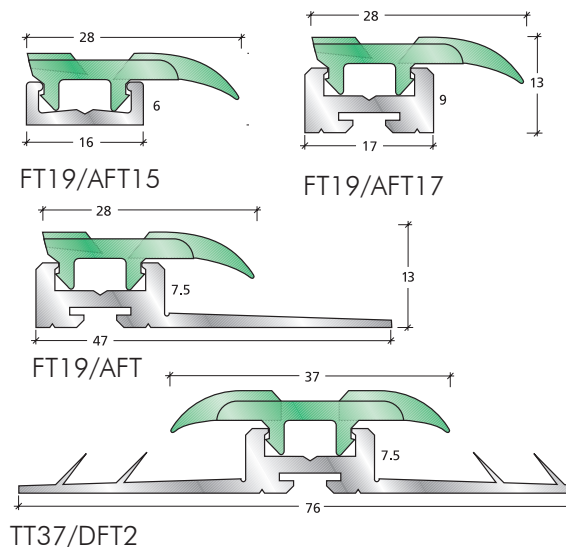
RT55 for a neat, strong, versatile carpet edging.



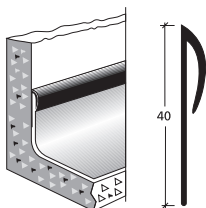
Colours Available



An economical, heavy duty secret fix aluminium trim to cover a resilient flooring edge. Suitable for carpet tiles and direct stick carpets

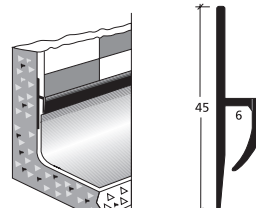


Cap Seal



HCS48 is designed as an efficient seal and finish for vinyl and rubber floor coverings when covered into vertical surfaces.

Cap Tile



TC48 is designed as an efficient and neat finish for vinyl and rubber floor coverings where ceramic tiles are installed.

WALL CAP TRIMS