

FLEXIBLE TRANSITIONS

Clip-Top fx *creating curves on site* *creating curves on site*

Clip-Top fx is a simple solution for creating a safe transition between different flooring materials.

- Clip-Top fx is a two-piece transition strip allowing design flexibility in most commercial applications
- Suitable for use in a wide range of environments including retail, schools, hotels and offices
- Ideal for use with a variety of floorcoverings including carpet, carpet tile, vinyl, laminates and ceramics
- Easily formed on site without the need of heat application – no special equipment required

ON SITE CURVING	
Profile	Min. Radius mm
FXT21	400
FXR40 Convex	400
FXR40 Concave	900



- Reduces requirement for pre-fabricated curves
- Choice of PVC-u or aluminium base:
 - PVC-u – pre-tagged to allow the formation of curves
 - Aluminium – for straight lengths
- PVC-u tops are easily replaceable if damaged or if refurbishment is being undertaken – no need to renew the base or disrupt the fitted floorcovering
- Tops and bases supplied separately in 2.5m lengths
- Suitable for use with a wide range of floorcoverings

(as with all Clip-Top profiles, when using with carpet the compressed thickness of the carpet should always be a tight fit to the internal gauge of the combined top/base profile)

Colour Availability

PVC-u TOPS

Black



Bluebell



Brown



Dove



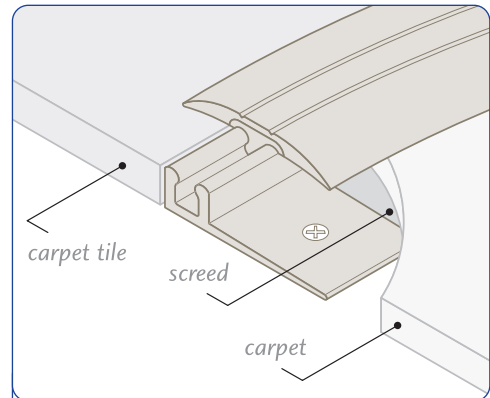
Evergreen



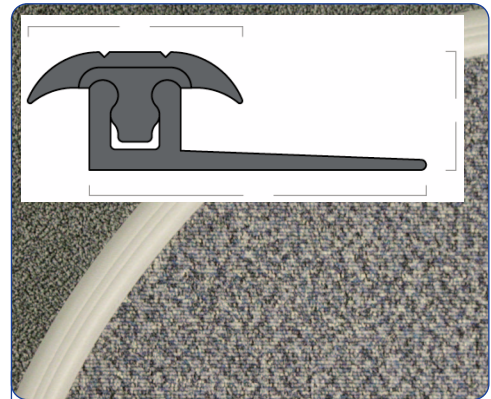
Granite



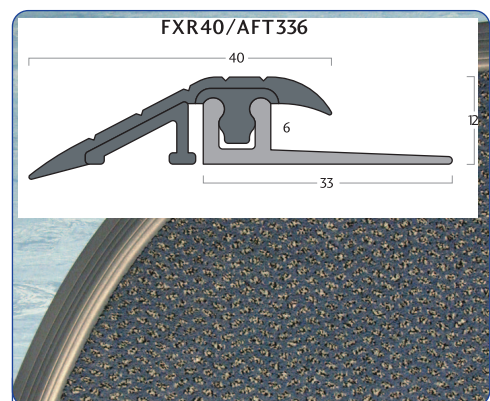
Please note: Due to the limitations of the printing process, colours within this leaflet should not be relied upon for colour matching.



Typical Example: carpet tile to carpet



Example: Twin Top - carpet to carpet



Example: Ramp Top - carpet to vinyl

Clip-Top fx

European Community Design No 7067-0001 - 7067-0010

