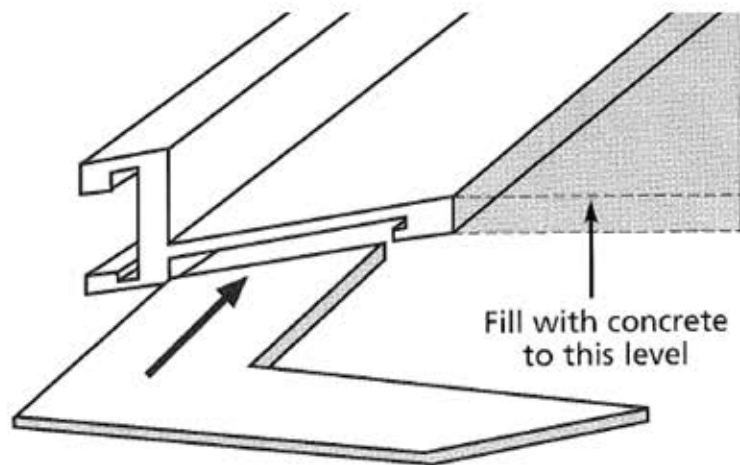
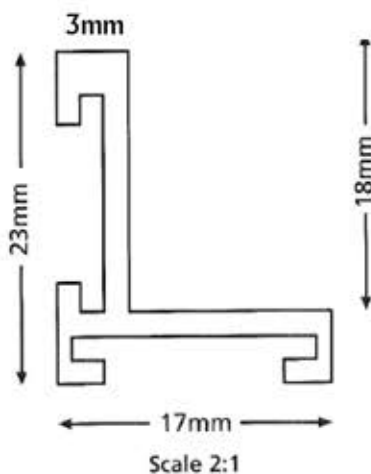




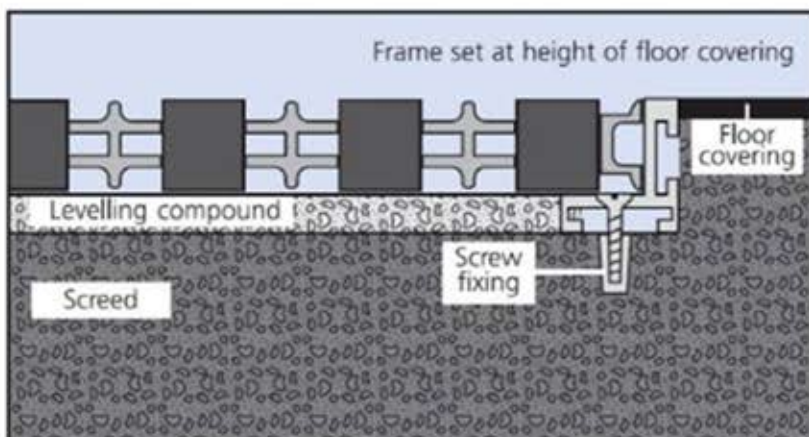
Features

- A versatile, multi-purpose matwell system suitable for casting in.
- Package system pre-cut and mitred with corner stakes available.
- Suitable for 12mm or 17mm matt thickness.
- Easily transported and assembled on site.
- Internal and external corners are easily accommodated.
- Designed for economy and simplicity of installation.



Installation Tips

- Ensure corner plates are correctly positioned.
- Ensure straight lengths are not bent or buckled and opposite sides are parallel.
- Ensure the base of the matwell is perfectly level so matting lies flat.
- May not be required to tiled recesses. (Tilers trim may be suitable)



Cross section of matwell frame set into screed with screw fixing



NOVAPRODUCTS GLOBAL
ABN 50 925 190 468
P + 61 8 9455 2228

W www.novaproducts.com.au

HQ 54 Catalano Cct, Canning Vale WA 6155



Australian
Owned & Operated

LIFELONG SOLUTIONS FOR LONG LIFE BUILDINGS
SUPPLYING TO AUSTRALIA AND INTERNATIONALLY