

TECHNICAL DATA SHEET

TAPE-ON CORNER GUARDS

Features

- low- profile appearance.
- Protects rounded corners
- Quick installation

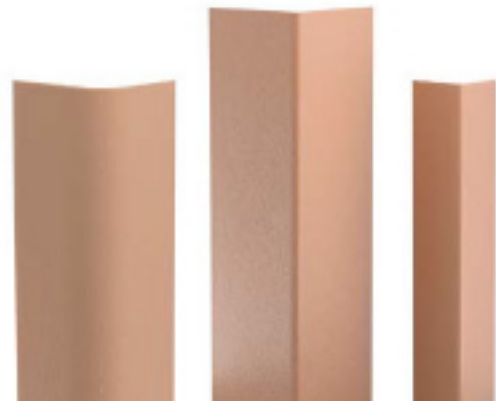
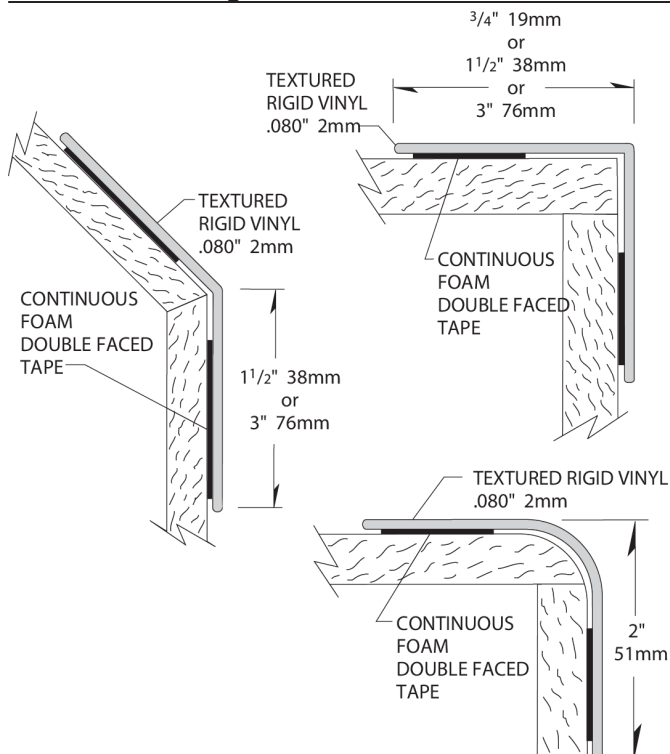
UV Resistance

N/A

Colour Range

Available in standard colors, Faux metal, Woodland pat-terns and Elements patterns

Technical Drawing



TYPE Corner Guards
MATERIAL Vinyl

Environmental

- Meets the most rigorous standards and criteria of chemical emissions as prescribed by the GREENGUARD Environmental Institute
- Has been tested and meets GREENGUARD Environmental Institute's and the state of California's requirements for low emitting products as tested by Air Quality Sciences
- Has been tested and meets the GREENGUARD Children & School chemical emissions levels

Chemical Resistance

N/A

Warranty

Standard IPC Limited Lifetime Warranty against material and manufacturing defects.

Maintenance

Refer to Maintenance Document.

DIMENSIONS

- .080" (2mm) thick scratch and stain resistant rigid
- Manufactured in 3' (.91m), 4' (1.22m), 8' (2.44m), 9' (2.74m) and 12' (3.66m) standard heights, custom heights available

Fire Test

Flame spread of 10 and smoke development of 350

Abrasion

N/A

Impact Resistance

Impact Strength of 30.2 ft-lbs/inch of thickness

www.novaproducts.com.au

enquiries@novaproducts.com.au

QLD ☎ 07 3540 9848

NSW ☎ 02 8322 0817

WA ☎ 08 9455 2228

VIC ☎ 03 9958 2881

SA ☎ 08 8164 5130

Technical Data Sheet

page 1 of 1



NOVAPRODUCTS

GLOBAL

LIFELONG SOLUTIONS FOR LONG LIFE BUILDINGS

Tape-on Corner Guards